

Specifications for Brackets

DIMENSIONS AND AVAILABLE FORMS



RoHS*
COMPLIANT

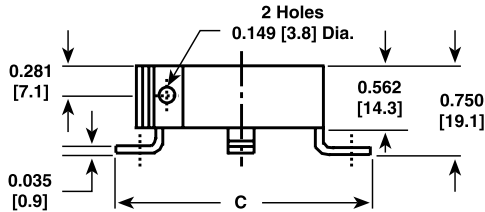
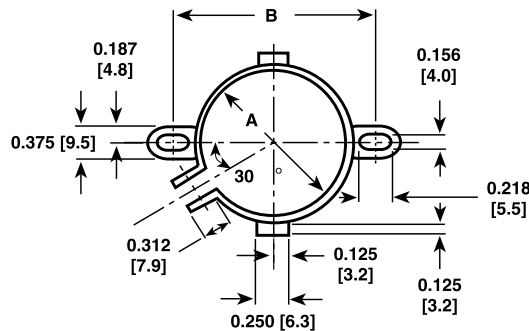


Figure 1

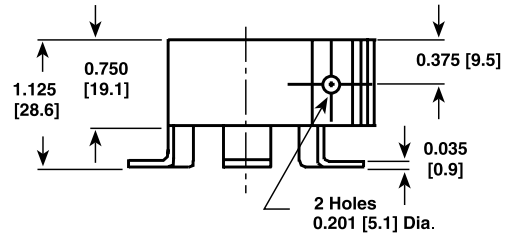
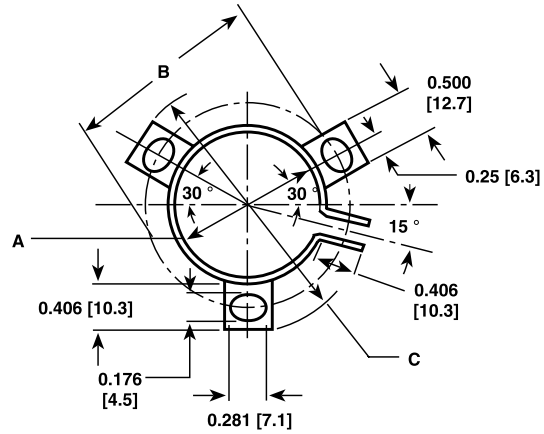


Figure 2

DIMENSIONS in inches [millimeters]

BRACKETS (RoHS COMPLIANT)

TYPE	PART NUMBER	A	B	C	FIGURE NUMBER
2 Feet	1245860035A	1.375 [34.9]	1.781 [45.2]	2.218 [56.3]	1
3 Feet	1245860036A	2.000 [50.8]	2.500 [63.5]	2.875 [73.0]	2
3 Feet	1245860037A	2.500 [63.5]	3.000 [76.2]	3.375 [85.7]	2
3 Feet	1245860038A	3.000 [76.2]	3.500 [88.9]	3.875 [98.4]	2

WHERE USED

PRODUCT FAMILY	DOCUMENT NUMBER	TO VIEW THE PRODUCT, PLEASE GO TO THE FOLLOWING LINKS:
36D/DE/DX	42066	www.vishay.com/doc?42066
36DA	42067	www.vishay.com/doc?42067
36DY	42065	www.vishay.com/doc?42065